

# TEAC

## SERVICE MANUAL

---

# CR-H227i

CD Receiver With IPOD Dock

---



### NOTES

- PC board shown are viewed from parts side.
- The parts with no reference number or no parts number in the exploded views are not supplied.
- As regards the resistors and capacitors, refer to the circuit diagrams contained in this manual.
- ⚠ Parts marked with this sign are safety critical components. they must be replaced with identical components - refer to the appropriate parts list and ensure exact replacement.
- Parts of [ ] mark can be used only with the version designated.  
[T/C]: USA [E]: EUROPE [UK]: U.K.

### CONTENTS

<b>1 SAFETY INFORMATION</b> .....	2
<b>2 SPECIFICATIONS</b> .....	3
<b>3 EXPLODED VIEW AND PARTS LIST</b> .....	4
<b>4 PC BOARDS AND PARTS LISTS</b> .....	7
<b>5 WIRING DIAGRAM</b> .....	15
<b>6 INCLUDED ACCESSORIES</b> .....	17

# CR-H227i

## 1 SAFETY INFORMATION

### SAFETY INFORMATION

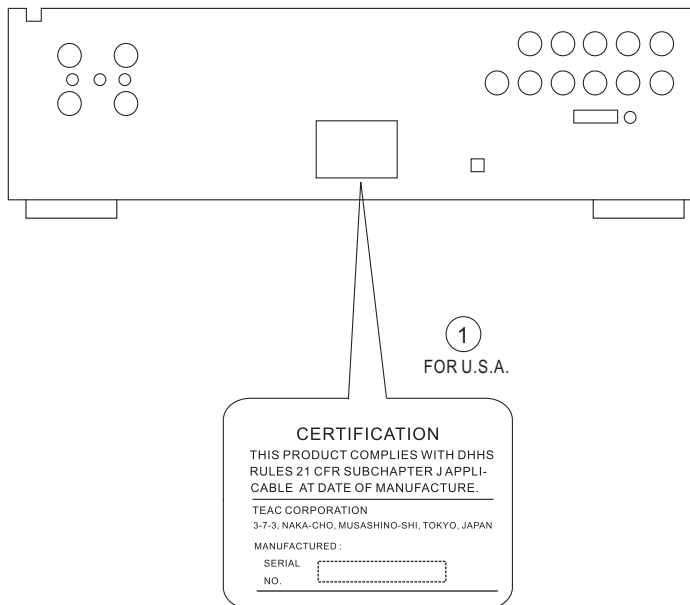
This product has been designed and manufactured according to FDA regulations " title 21, CFR, chapter 1, subchapter J, based on The Radiation Control for Health and Safety Act of 1968" and is classified as class 1 laser product. There is not hazardous invisible laser radiation during operation because invisible laser radiation emitted inside of this product is completely confined in the protective housings. The label required in this regulation is shown ①.

• **CAUTION**

USE OF CONTROLS OR ADJUSTMENT OR PERFORMANCE OF PROCEDURES OTHER THAN THOSE SPECIFIED HEREIN MAY RESULT IN HAZARDOUS RADIATION EXPOSURE.

DO NOT REMOVE THE PROTECTIVE HOUSING USING SCREWDRIVER.

IF THIS PRODUCT DEVELOPS TROUBLE, MAKE A CONTACT WITH OUR SERVICEMAN, AND DO NOT USE THE PRODUCT A TROUBLED STATE.



## 2 SPECIFICATIONS

### Amplifier Section

Output Power	25 W/ch (6 ohms, 0.5%, 1kHz)
Input Sensitivity	400 mV/47 ohms
Frequency Response	20 to 60,000 Hz (+1/-3 dB)

### Tuner Section (FM)

Tuner Range	87.5 MHz to 108.0 MHz 100 kHz step - ( USA) 50 kHz step - ( EUR/UK)
Signal-to-Noise Ratio	65 dB (Mono) 60 dB (Stereo)
Presets	30

### Tuner Section (AM)

Tuner Range	530 to 1720 kHz (USA) 10 kHz step 522 to 1629 kHz (EUR/UK) 9 kHz step
Signal-to-Noise Ratio	35 dB
Presets	30

### CD Player Section

Frequency Response	20 to 20,000 Hz (+/-2dB)
Signal-to-Noise Ratio	More than 95 dB
Wow and Flutter	Unmeasurable

### General

Power Requirements	AC120V, 60 Hz (USA) AC230V, 50 Hz (EUR/UK)
Power Consumption	75 W 1.5 W (standby)
Dimension (W x H x D)	Main Unit 215 x 110 x 359 mm Dock (without cable) 100 x 40 x 106mm
Weight: (net)	Main Unit 4.4 kg Dock 0.4kg

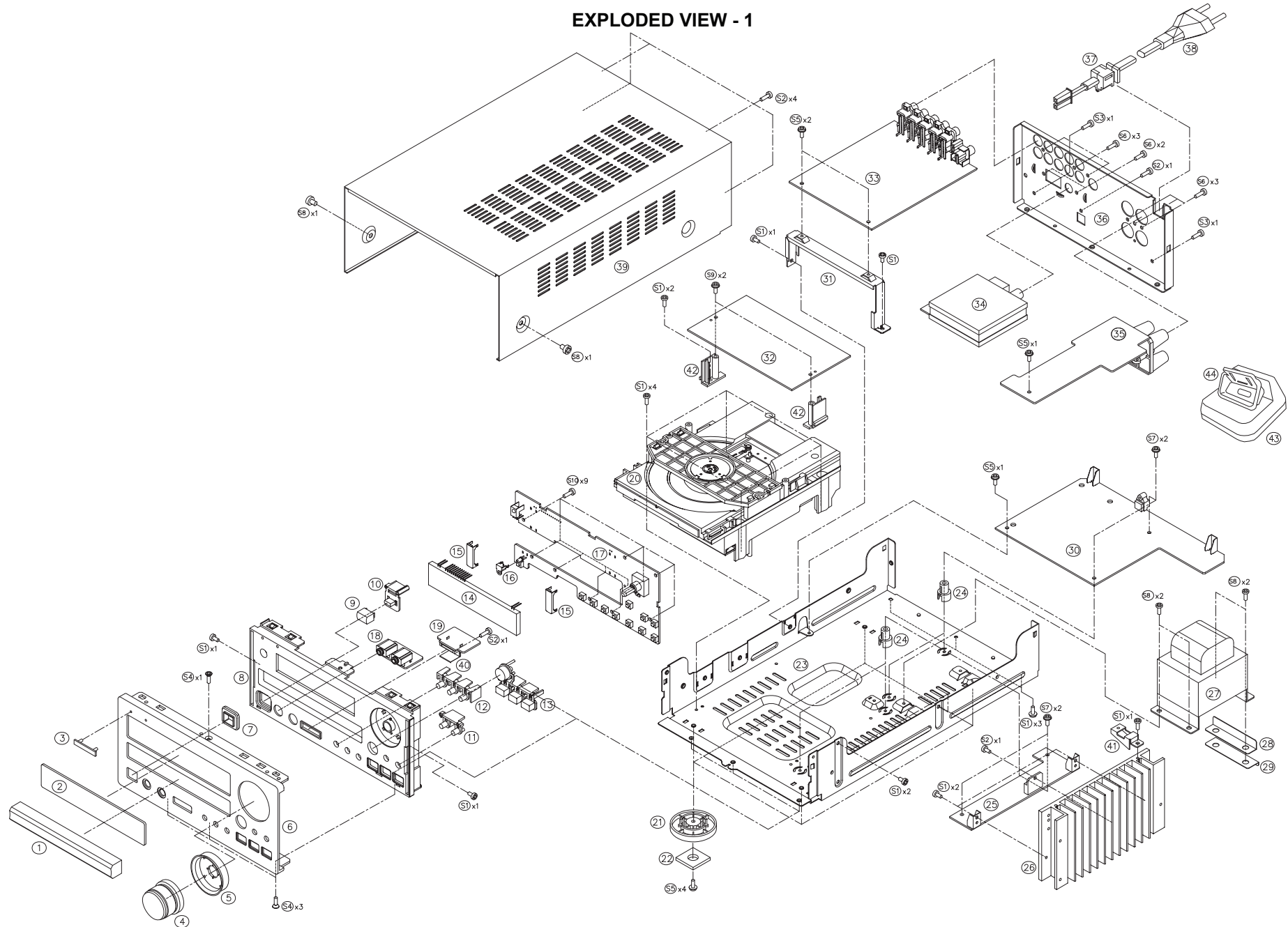
### Standard Accessories

Remote Control Unit x 1
Batteries (AAA x 2)
FM Lead-type Antenna x 1
AM Loop Antenna x 1
Dock x 1
Dock adaptor x 8 (adaptor "60GB(color)+ Photo 40GB/60GB" premounted)
Cover for the dock x 1
Owner's manual x 1
Warranty card x 1



- Design and specifications are subject to change without notice.
- Illustrations may differ slightly from production models.
- Weight and dimensions are approximate.

# CR-H227i

## 3 EXPLODED VIEWS AND PARTS LIST EXPLODED VIEW - 1



## EXPLODED VIEW-1

REF. NO	PARTS NO.	DESCRIPTION	REMARKS
1-1	CGR1A345K122 CGR1A345M7G5	ORNAMENT, DOOR - BLACK ORNAMENT, DOOR - SILVER	
1-2	CGU1A347Z	WINDOW, FIP	
1-3	CGB1A047Y KGB1A047Z	BADGE, TEAC - BLACK BADGE, TEAC - SILVER	
1-4	CGK1A098XA CGK1A098YA	VOLUME KNOB ASSY - BLACK VOLUME KNOB ASSY - SILVER	
1-5	CGR1A346MBC22	ORNAMENT, RING	
1-6	CKM1A184XC61 CKM1A184ZC61 CKM1A184ZC35	PANEL, FRONT (AL) - BLACK [T/C] PANEL, FRONT (AL) - BLACK [E,UK] PANEL, FRONT (AL) - SILVER [E,UK]	
1-7	CGL1A133	INDICATOR, STANDBY	
1-8	CGW1A432K122 CGW1A432M7ZG5	PANEL, SUB - BLACK PANEL, SUB - SILVER	
1-9	CBT1A495K122 CBT1A495M7G5	CAP, STAND BY - BLACK CAP, STAND BY - SILVER	
1-10	CBT1A483	KNOB, STAND BY	
1-11	CBT1A493MBC22	KNOB, CPS	
1-12	CBT1A942K122 CBT1A942M7G5	KNOB, MODE - BLACK KNOB, MODE - SILVER	
1-13	CBT1A943ZK122 CBT1A943M7ZG5	KNOB, PLAY - BLACK KNOB, PLAY - SILVER	
1-14	HFLHCA-17SM03T	FIP	
1-15	CMD1A468	BRACKET, FIP	
1-16	CMD1A376	SUPPORT, LED	
1-17	COP11966D COP11966B	FRONT PCB ASSY [T/C] FRONT PCB ASSY [E,UK]	
1-18	COP11966D COP11966B	PHONE PCB ASSY [T/C] PHONE PCB ASSY [E,UK]	
1-19	COP11967D COP11967B	IPOD PCB ASSY [T/C] IPOD PCB ASSY [E,UK]	
1-20	CJDKSL2130CCMZ	CD MECHANISM ASSY	
1-21	CKL2A055H45	FOOT	
1-22	KHG1A050Y	CUSHION, FOOT	
1-23	CUA2A248	CHASSIS, BOTTOM	
1-24	CHE1A030	HOLDER, PCB	
1-25	COP11966D COP11966B	AMP PCB ASSY [T/C] AMP PCB ASSY [E,UK]	
1-26	CMY1A233	HEAT SINK	
1-27	 CLT5P044ZU  CLT5P044ZE	TRAN, POWER [T/C] TRAN, POWER [E,UK]	
1-28	CGX1A361	SHEET, HIGH	
1-29	CGX1A362	SHEET, LOW	
1-30	COP11966D COP11966B	POWER PCB ASSY [T/C] POWER PCB ASSY [E,UK]	
1-31	CMD1A573	BRACKET, PCB	
1-32	COP11967D COP11967B	CD PCB ASSY [T/C] CD PCB ASSY [E,UK]	

# CR-H227i

## EXPLODED VIEW-1

REF. NO	PARTS NO.	DESCRIPTION	REMARKS
1-33	COP11967D	MAIN PCB ASSY [T/C]	
	COP11967B	MAIN PCB ASSY [E,UK]	
1-34	CNVMB014MA08LS	TUNER MODULE [T/C]	
	CNVMB114MA18L	TUNER MODULE [E,UK]	
1-35	COP11966D	SPEAKER PCB ASSY [T/C]	
	COP11966B	SPEAKER PCB ASSY [E,UK]	
1-36	CKF4A282O	PANEL, REAR [T/C]	
	CKF4A282Q	PANEL, REAR [E,UK]	
1-37	KHR1A028	BUSHING, AC CORD	
1-38	CJA523FBYA	CORD, POWER [T/C]	
	CJA2B043ZA	CORD, POWER [E]	
	CJA2E086Z	CORD, POWER [UK]	
1-39	CKC1A156B25	CABINET, TOP - BLACK	
	CKC1A156G51	CABINET, TOP - SILVER	
1-40	CMD1A619	BRACKET, I-POD	
1-41	CMD1A620	BRACKET, PCB	
1-42	CMH1A092	SUPPORT, CDP	
1-43	CAZDS18T	IPOD DOCK WITH CABLE ASSY	
1-44	CAZAK18T	IPOD ADAPTOR KIT	
S1	CTB3+6JR	SCREW	
S2	CTB3+8JFZR	SCREW	
S3	CTB3+6FFZR	SCREW	
S4	CTS3+8JR	SCREW	
S5	CTW3+8JR	SCREW	
S6	CTB3+6JR	SCREW	
S7	CTW3+18JR	SCREW	
S8	CTD4+6FFZR	SCREW	
S9	CTW3+12JR	SCREW	
S10	CTB3+10JR	SCREW	

## 4 PC BOARDS AND PARTS LIST

## MAIN PCB ASSY

REF. NO	PARTS NO.	DESCRIPTION	REMARKS
	COP11967D	MAIN PCB ASSY [T/C]	
	COP11967B	MAIN PCB ASSY [E,UK]	
	CUP11967-1	MAIN PCB	
CN14,CN42	CJP07GA19ZY	WAFER STRAIGHT 7PIN	
CN21	CJP13GA117ZY	WAFER, CARD CABLE	
CN31,CN61	CJP05GA19ZY	WAFER STRAIGHT 5PIN	
CN41	CJP04GA19ZY	WAFER STRAIGHT 4PIN	
CN51	CJP03GA19ZY	WAFER STRAIGHT 3PIN	
CN53	CJP09GA19ZY	WAFER STRAIGHT 9PIN	
CN94	CJP09GA01ZY	CON WAFER YMW025-09R	
D402-406,502, D506,906	CVD1SS355T	DIODE, CHIP 1SS355T	
D901	HVDUDZS27BSR	ZENER DIODE, CHIP 27V	
D902	HVDUDZS9.1BSR	ZENER DIODE, CHIP 9.1V	
D903	HVD1SR159-200	DIODE, SCHOTTKY BARRIER	
D904	CVD1N4003SRT	DIODE - 1N4003	
D905	HVDMTZJ5.1BT	DIODE - ZENER 5.1V	
IC41	HVIST92F124V1T6	IC - ST92F124V1T6	
IC42	HVISL1208IU8ZT	IC - SL1208IU8ZT	
IC43	HVIRH5VT28C	IC - RH5VT28C	
IC44	HVI74LVCO4ADT	IC - 74LVC04ADT	
IC45	HVI74ACT04MTR	IC - 74ACT04MTR	
IC51,54	CVINJM5532M	IC - NJM5532M	
IC52	HVITDA7313NDTR	IC - TDA7313NDTR	
IC53	HVITC9163CFG	IC - TC9163CFG	
IC55	HVIKA7808AZT	IC - KA7808AZT	
IC90	HVIKIA7808API	IC - KIA7808API	
JK51	CJJ4M046Z	JACK BOARD	
JK52	CJJ4P014W	JACK, IN/OUT	
JK53	CJJ4R019W	TERMINAL, IN/OUT	
L401	HLZ9Z014Z	CHIP, BEAD	
Q401,410	HVTKRC107S	TR - CHIP KRC107S	
Q402,409,503	HVTKRA107ST	TR - CHIP KRA107ST	
Q403,404,501,502	HVTKTD1304T	TR - CHIP KTD1304T	
Q405	HVTKTA2014GR	TR - CHIP KTA2014GR	
Q504	HVTKRC102S	TR - CHIP KRC102S	
Q901	HVTKTC4075GR	TR - SMD KTC4075GR	
Q902	HVTKSC2316YT	TR - KSC2316Y	
WF15,18	CJP17GA117ZY	WAFER	
X401	HOX04000E150C	CRYSTAL 4.00MHZ	
X402	HOX00032K120I	CRYSTAL 32.768KHZ	





## CD PCB ASSY

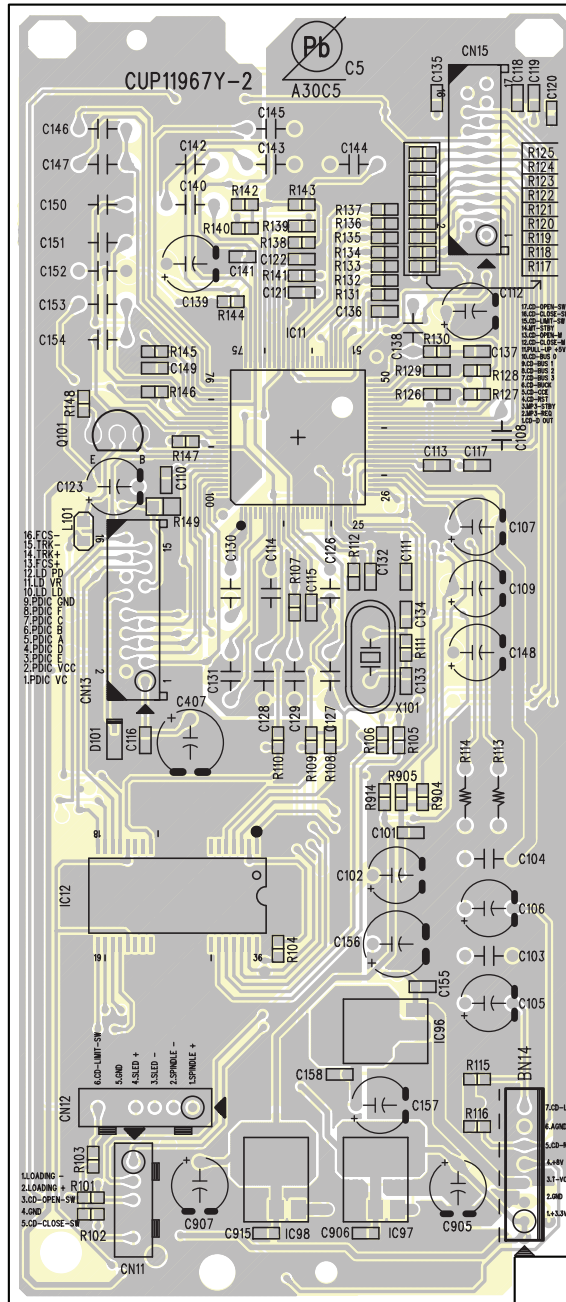
REF. NO	PARTS NO.	DESCRIPTION	REMARKS
	COP11967D	CD PCB ASSY [T/C]	
	COP11967B	CD PCB ASSY [E,UK]	
	CUP11967-2	CD PCB	
D101	CVD1SS355T	DIODE, CHIP 1SS355T	
IC11	HVITC94A54MFG01	IC - TC94A54MFG01	
IC12	HVITA2125AFG	IC - TA2125AFG	
IC96,IC99	HVILM1117S-5.0	IC - LM1117S-5.0	
IC97	HVILM1117S-3V3	IC - LM1117S-3V3	
IC98	HVILM1117S-1V5	IC - LM1117S-1V5	
L101	HLQ08E100KRZ	INDUCTOR, CHIP	
Q101	HVTKTA1266Y	TR - KTA1266YT	
CN11	CJP05GA19ZY	WAFER STRAIGHT 5PIN	
CN12	CJP06GA19ZY	WAFER STRAIGHT DVD LOADER	
CN13	CJP16GA117ZY	WAFER	
CN15	CJP17GA117ZY	WAFER	
X101	HOX16934E120C	CRYSTAL 16.934MHZ	

## IPOD PCB ASSY

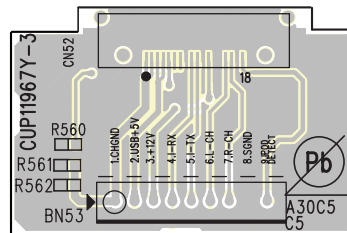
REF. NO	PARTS NO.	DESCRIPTION	REMARKS
	COP11967D	IPOD PCB ASSY [T/C]	
	COP11967B	IPOD PCB ASSY [E,UK]	
	CUP11967-3	IPOD PCB	
BN53	CWZCRH227IBN53	WIRE ASSY 9PIN	

# CR-H227i

CD PCB









I-POD PCB



## FRONT PCB ASSY

REF. NO	PARTS NO.	DESCRIPTION	REMARKS
	COP11966D	FRONT PCB ASSY [T/C]	
	COP11966B	FRONT PCB ASSY [E,UK]	
	CPU11966-4	FRONT PCB	
CN81	CJP17GB113ZY	WAFER	
D801	HVD342YCTB7T089	LED - YELLOW	
D802	CVD1SS133MT	DIODE - 1SS133MT	
FIP 1	HFLHCA-17SM03T	FIP	
RC81	HRVKSM603TH2	SENSOR, REMOCON	
S801-806,808, S809-811	CST1A012ZT	SW, TACT	
VR81	HSR2A011Z	VR, ENCODER	

## POWER PCB ASSY

REF. NO	PARTS NO.	DESCRIPTION	REMARKS
	COP11966D	POWER PCB ASSY [T/C]	
	COP11966B	POWER PCB ASSY [E,UK]	
	CUP11966-1	POWER PCB	
BN94	CWB1C909150BM	WIRE ASSY	
C225,226,241 	CCEA1CH102E	E.CAP 1000UF/16V	
C227,228	CCEA1EH222E	E.CAP 2200UF/25V	
C246 	CCEA1CH222E	E.CAP 2200UF/16V	
CN24	CJP08GA01ZY	WAFER, STRAIGHT 8PIN	
CN27	CJP03GA19ZY	WAFER, STRAIGHT 3IN	
CN91	CJP02KA060ZY	WAFER	
CN92	CJP02GA89ZM	WAFER	
D202,204,210	CVD1N4003SRT	DIODE - 1N4003SRT	
D211-217			
D203,205	CVD1N4003ST	DIODE - 1N4003ST	
D207,209,223-225	CVD1SS133MT	DIODE - 1SS133MT	
D208	HVDMTZJ6.8BT	ZENER DIODE - 6.8V	
FUSE 	KBA2C3000TLUZ	FUSE T3A L250V [T/C]	
	KBA2C2000TLEZ	FUSE T2A L250V [E,UK]	
IC91	HVIKA78R12	IC - KA78R12	
IC92	HVIKA7912PI	IC - KIA7912PI	
IC93	HVIKA78L05AZT	IC - KA78L05AZT	
JK21	HJSTOTX177L	MODULE, OPTICAL	
Q207	HVTKRC107MT	TR - KRC107MT	
Q208	HVTKSC2316YT	TR - KSC2316YT	
RY71	HSL1A008ZE	RELAY	
T701 	CLT5I007ZE	TRANS, SUB [E,UK]	
	CLT5I003ZU	TRANS, SUB [T/C]	



**SPEAKER PCB ASSY**

REF. NO	PARTS NO.	DESCRIPTION	REMARKS
C204,205 CN25	COP11966D	SPEAKER PCB ASSY [T/C]	
	COP11966B	SPEAKER PCB ASSY [E,UK]	
	CUP11966-2	SPEAKER PCB	
	⚠ CCEA35VH332E	E.CAP 3300UF/35V	
	CJP08GB03ZY	WAFER 8PIN	
CN93	CJP03GA90ZY	WAFER 3PIN	
D201	HVDGBJ1006	DIODE BRIDGE	
D301	CVD1SS133MT	DIODE - 1SS133MT	
L202,203	KLZ9H001Z	BEAD, CORE	
SP31	CJJ5P012Z	TERMINAL, SPEAKER	
RY72	HSL4A004ZU	RELAY	

**AMP PCB ASSY**

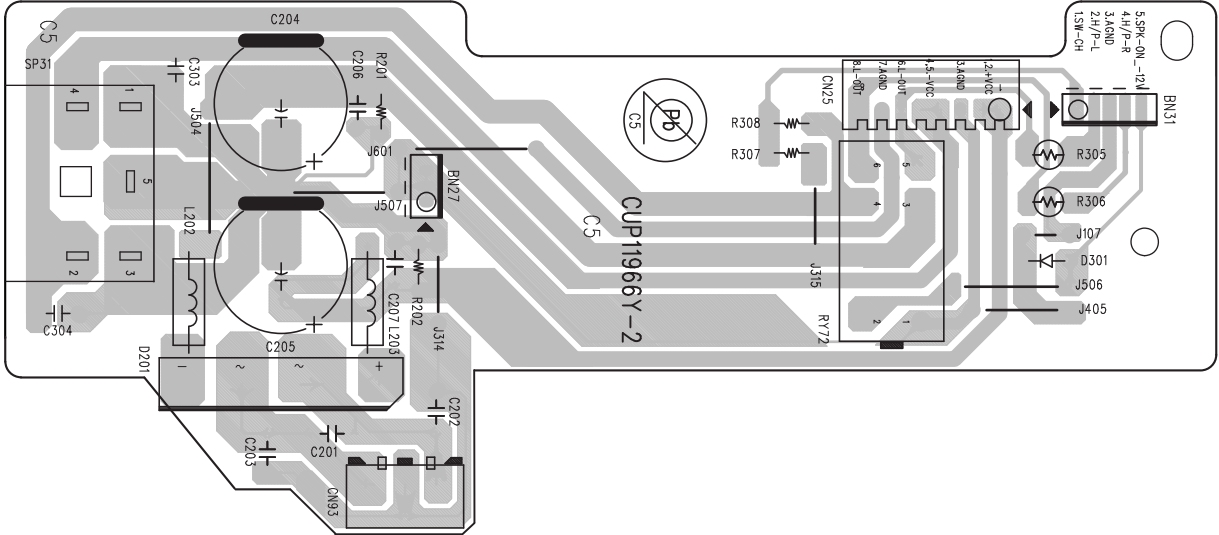
REF. NO	PARTS NO.	DESCRIPTION	REMARKS
IC61 L601,602	COP11966B	AMP PCB ASSY [T/C]	
	COP11966D	AMP PCB ASSY [E,UK]	
	CUP11966-3	AMP PCB	
	CVITDA7292	IC - TDA7292	
	KLZ9H001Z	BEAD, CORE	

**PHONE PCB ASSY**

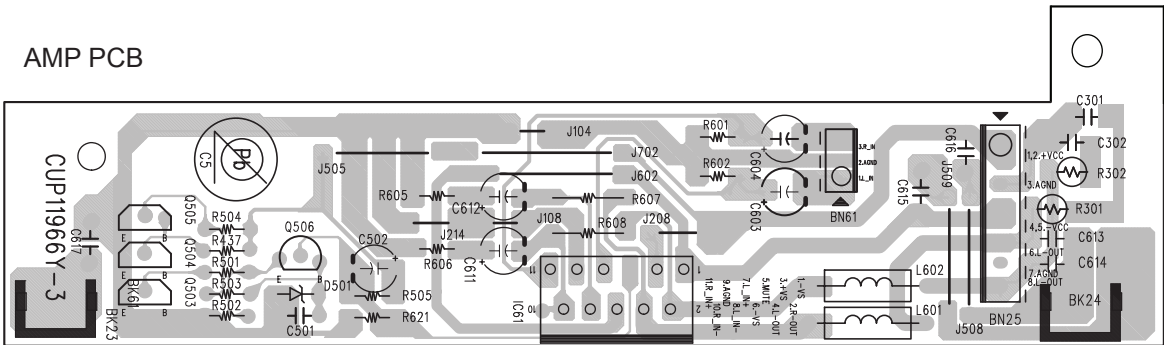
REF. NO	PARTS NO.	DESCRIPTION	REMARKS
BN81 JK81,82	COP11966D	PHONE PCB ASSY [T/C]	
	COP11966B	PHONE PCB ASSY [E,UK]	
	CUP11966-5	PHONE PCB	
	CWZCRH227IBN81	WIRE ASSY 7PIN	
	HJJ2E027Z	JACK, HEADPHONE	

# CR-H227i

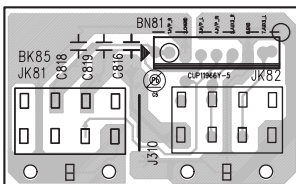
## SPEAKER PCB



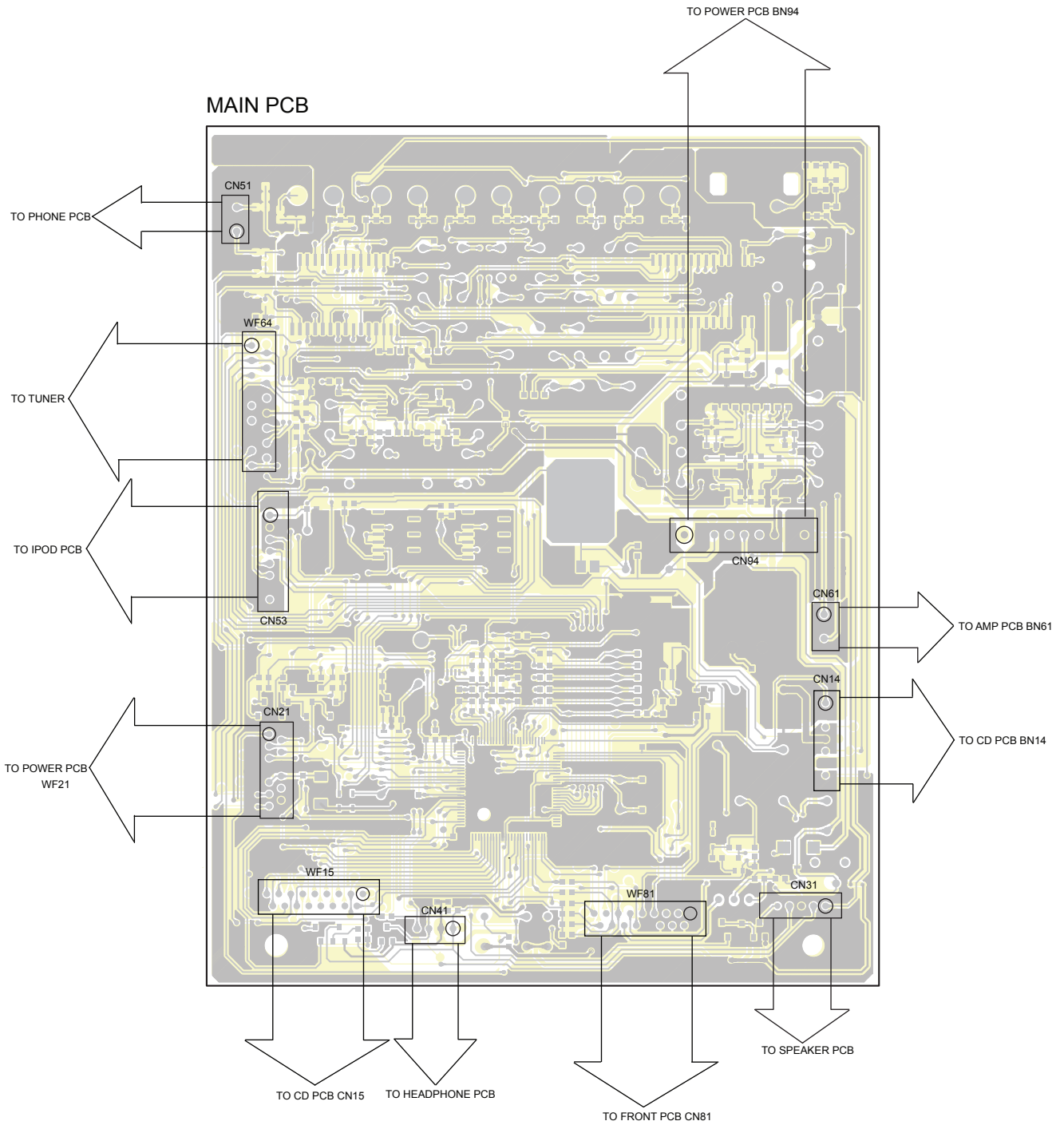
## AMP PCB



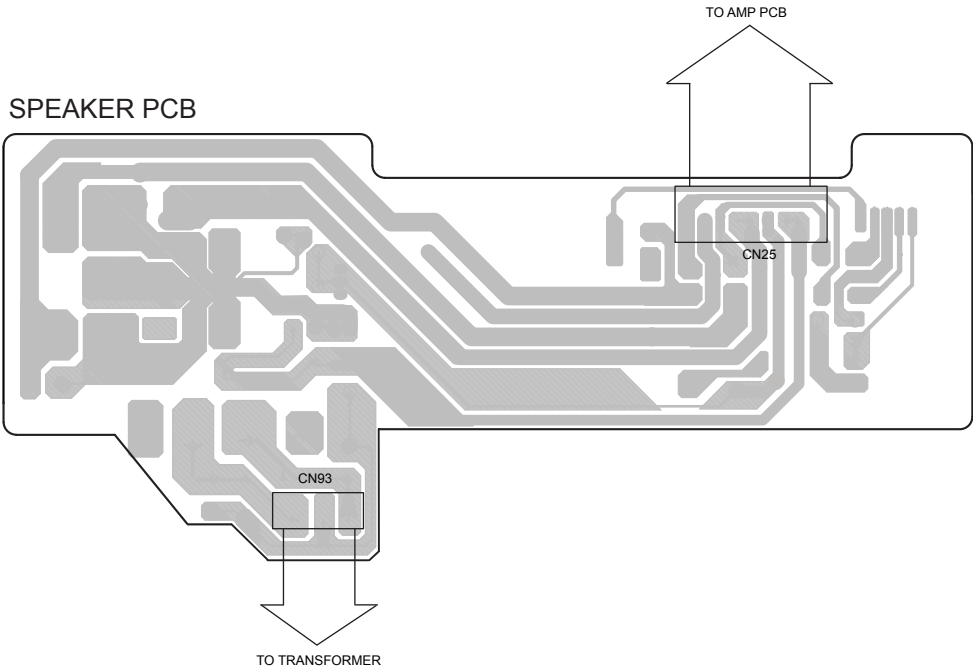
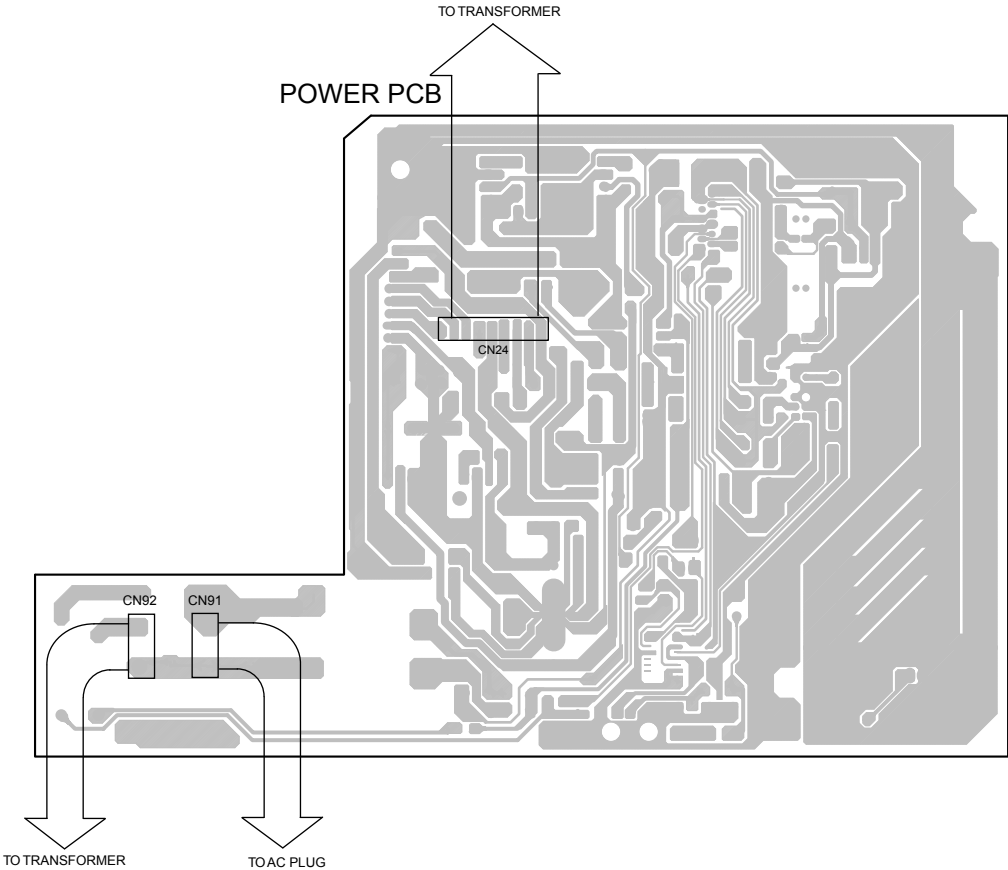
## PHONE PCB



# 5 WIRING DIAGRAM



# CR-H227i





## 6 INCLUDED ACCESSORIES

## INCLUDED ACCESSORIES

REF. NO	PARTS NO.	DESCRIPTION	REMARKS
	CQX1A1215Z	INSTRUCTION MANUAL [ T/C]	
	CQX1A1190Z	INSTRUCTION MANUAL [ E]	
	CQX1A1192Z	INSTRUCTION MANUAL [ UK]	
	CARTCRH227IBTC	REMOTE CONTROL ASSY [ T/C]	
	CARTCRH227IB	REMOTE CONTROL ASSY - BLACK [ E,UK]	
	CARTCRH227IS	REMOTE CONTROL ASSY - SILVER [ E, UK]	
	CSA1A020Z	AM LOOP ANT	
	CSA1A033Z	ANT, FM CORKING [T/C]	
	CSA1A018Z	ANT, FM 1 POLE [E,UK]	
	CABR03P	BATTERY (SIZE: AAA)	
	CAZDS18T	IPOD DOCK WITH CABLE ASSY	
	CAZAK18T	IPOD ADAPTOR KIT	

# CR-H227i

---

# TEAC

---

---

<b>TEAC CORPORATION</b>	3-7-3 Nakacho, Musashino-shi, Tokyo 180-8550, Japan Phone:(0422)52-5081
TEAC AMERICA, INC.	7733 Telegraph Road, Montebello, California 90640 Phone: (323)726-0303
TEAC CANADA LTD.	5939 Wallace Street, Mississauga, Ontario L4Z 1Z8, Canada Phone: (905)-890-8008
TEAC MEXICO, S.A.De C.V.	Campesinos N°184, Colonia.Granjas Esmeralda, Delegacion Iztapalapa, CP 09810, Mexico DF Phone: (525)-581-5500
TEAC UK LIMITED	Unit 19 & 20, The Courtyards, Hatters Lane, Watford, Hertfordshire, WD18 8TE5, U.K. Phone:(0845) 130-2511
TEAC EUROPE GmbH	Bahnstrasse 12, 65205 Wiesbaden-Erbenheim, Germany Phone: 0611-71580
TEAC ITALIANA S.p.A.	Via C, Cantu 9/A, 20092 Cinisello Balsamo, Milano, Italy Phone:02-66010550
TEAC AUSTRALIA PTY., LTD.	280 William Street, Melbourne VIC 3000, Australia Phone:(03)9672-2400
A.B.N. 80 005 408 462	

---

SEP 2007

PREPARED IN HONG KONG



